



VALPRA

FITTINGS & SANITARY WARE

L E S S I S M O R E

PREMIUM KITCHEN SINK

CONTENT

| | |
|-----------------------------|------------|
| Brand Profile | i |
| Certificate | ii |
| SGS Lab Test Report | iii |
| Our Product Type | iv |
| Granite Kitchen Sink | 01 |

BRAND PROFILE



Your Dream Kitchen

BDA Group kitchen sink offers you the chance to create your perfect kitchen with a selection of product sourced from our premium brands.

We understand that the best kitchens transcend basic utilitarianism in bold and stylish ways while nevertheless remaining exceptionally functional. Our team experts can help you achieve the complete settings of your kitchens where convenience and intuitive control synchronise with fashionable aesthetic style.

CERTIFICATE



Declaration of Conformity

Certificate No.: ATS210908002L

Product Name: Granite Sink

Model No.: G-T8650F, G-U6146D, G-T7646D, G-T7848D, G-U7646G,
G-T6846E, G-T7846E, G-T8046G, G-T8050E, G-T8650G,
G-U4146E, G-U7646E, G-T11650K, G-T10050I, G-T10050L,
G-T10050U, G-T10050V, G-T11650L, G-U0045C, G-T8650T

Trade Name: /

Test Standard: **BS EN 13310: 2015+A1: 2018**

Test Report No.: ATS210908002LR

The EUT described above has been tested by us with the listed standards and found in compliance With the council Electromagnetic Compatibility Regulations 2016, so ATS here by acknowledges that the Manufacturer may issue a DOC apply the UKCA marking in accordance with United Kingdom Union Rules.


Max wang, Technical Director



Sept.13, 2021



Shenzhen ATS Testing Technology Co., Ltd.
6th Floor, Building A2, Jinhai Commercial Building, Jinhai Road, Xixiang Street, Baoan District, Shenzhen
Web : www.ats-cert.com Mail : admin@ats-cert.com TEL : 0755-23304558

SGS LAB TEST REPORT



Test Report

No.: GZHL2111048922PL-02

Date: Dec 01, 2021

Page 1 of 4

Sample Description : GRANITE SINK / QUARTZ SINK
Style / Item No. : G-T6846E
Client Reference Information : Style / Item No.:
G-U0045C, G-T0051E, G-U4146E, G-U6146D, G-T7646D, G-U7646G, G-U7646E, G-T7846F, G-T7846E, G-T8050E, G-T7848D, G-T8046G, G-T7446D, G-T8650F, G-T8650G, G-T10050I, G-T10050L, G-T11650L, G-T11650K, G-T9050F, G-U9047A, G-T7848U, G-T8549F

As above test item and its relevant information regarding to the submission are provided and confirmed by the applicant. SGS is not liable to either the test item or its relevant information, in terms of the accuracy, suitability, reliability or/and integrity accordingly.

Sample Receiving Date : Nov 16, 2021
Test Performing Date : Nov 16, 2021 to Nov 22, 2021
Test Performed : Selected test(s) as requested by applicant
Test Result(s) : For further details, please refer to the following page(s)

| Test Requested | Rating |
|---|--------|
| Clause 5.16 of CSA B45.5-17/IAPMO Z124-2017 | Pass |

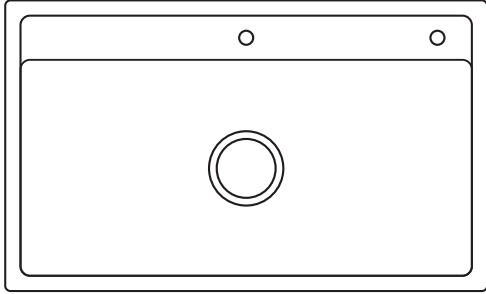
Signed for and on behalf of
SGS-CSTC Standards Technical Services Co., Ltd. Guangzhou Branch

Bink Xu

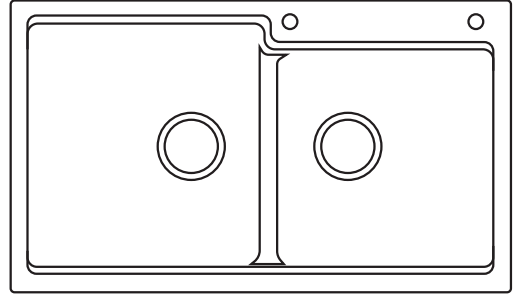
Bink Xu
Authorized Signatory



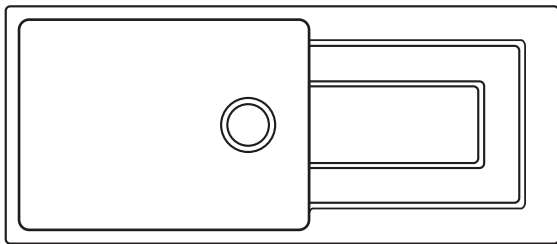
OUR PRODUCT TYPE



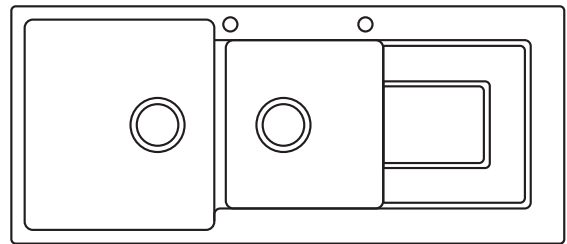
Single Bowl



Double Bowl



Single Bowl + Tray



Double Bowl + Tray



GRANITE KITCHEN SINK

Elegant, Sturdy and Durable like no other

Granite Composite Sink is a mixture of Granite and Resin material composed of mainly granite to ensure its hardness and sturdiness.

This is a revolutionary technology that brings kitchen sink to another level. With many advantages provided by this type of sink, will definitely guarantee satisfaction to any dream kitchens.



High Durability
and Sturdy



Scratch &
Chipping
Resistant



Anti
Rust



Easy Cleaning
(no chemicals
needed)



Heat
Resistant



Stain
Resistant



Hygienic &
Non Porous

V-GE 6146 MT



V-GE 6146 BK



Material :
Granite Composite

Weight :
11 kg

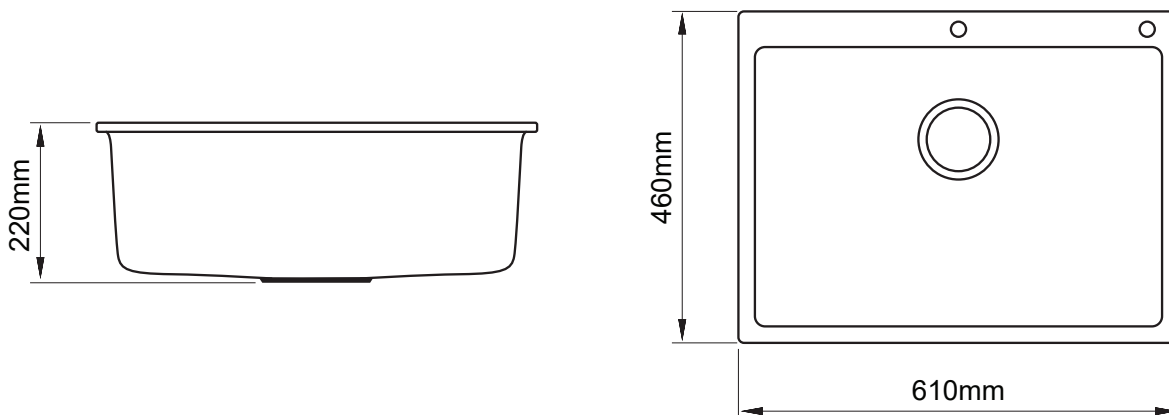
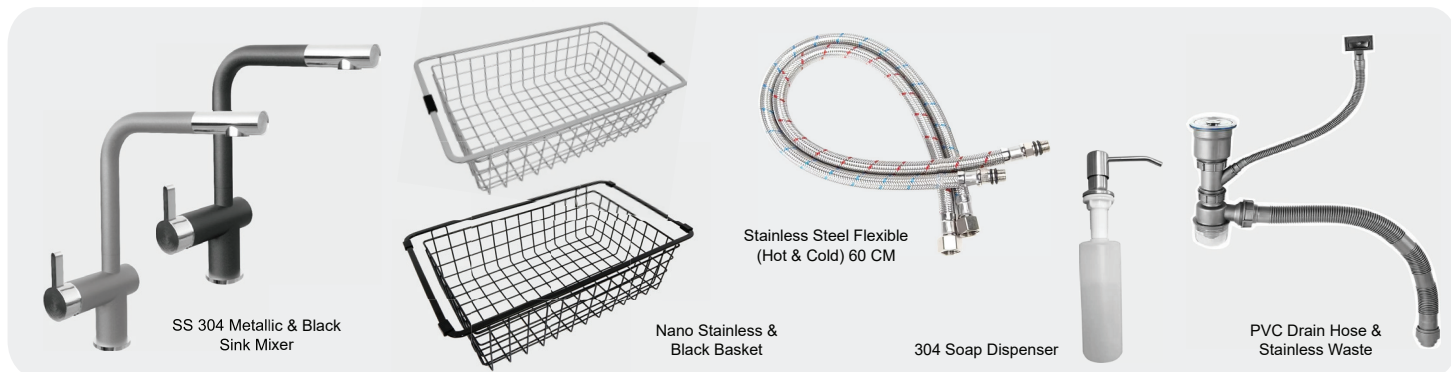
Dimension :
610 x 460 x 220 mm

Color Available :
Metallic & Black

Thickness :
11 mm

Installment :
Topmount

Features :



V-GE 7646 MT

V-GE 7646 BK



Material :
Granite Composite

Weight :
15.8 kg

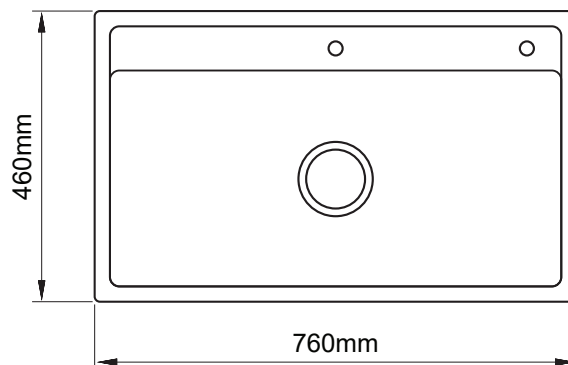
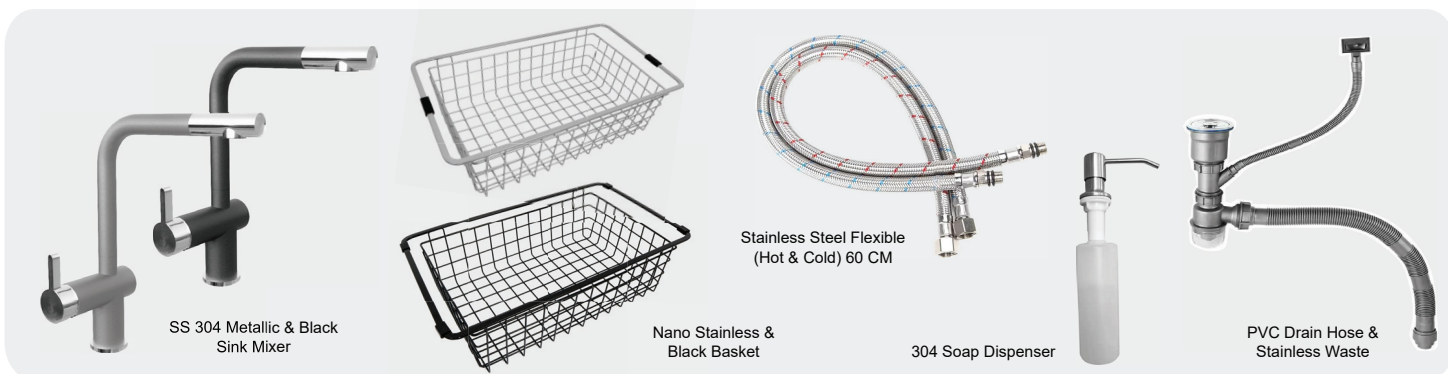
Dimension :
760 x 460 x 220 mm

Color Available :
Metallic & Black

Thickness :
11 mm

Installment :
Topmount

Features :



V-GE 8650 MT

V-GE 8650 BK



Material :
Granite Composite

Weight :
19.5 kg

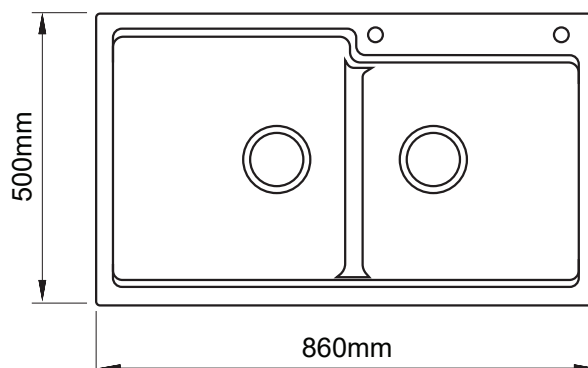
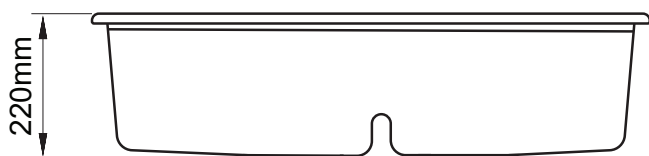
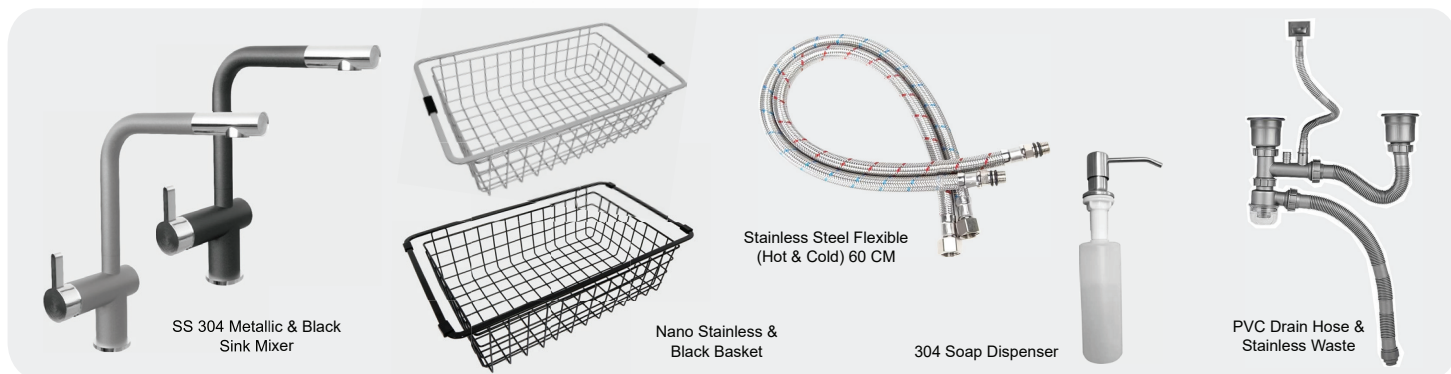
Dimension :
860 x 500 x 220 mm

Color Available :
Metallic & Black

Thickness :
11 mm

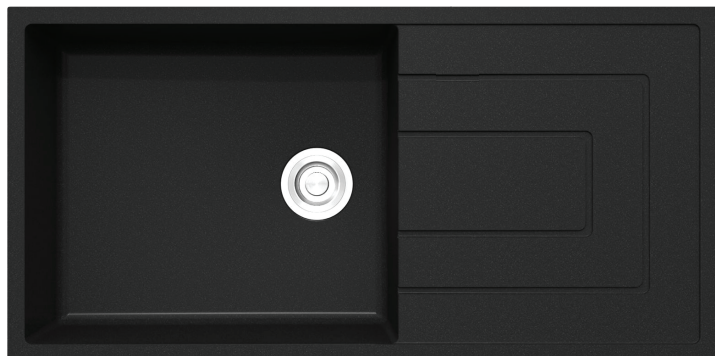
Installment :
Topmount

Features :



V-GE 10050 MT

V-GE 10050 BK



Material :
Granite Composite

Weight :
21 kg

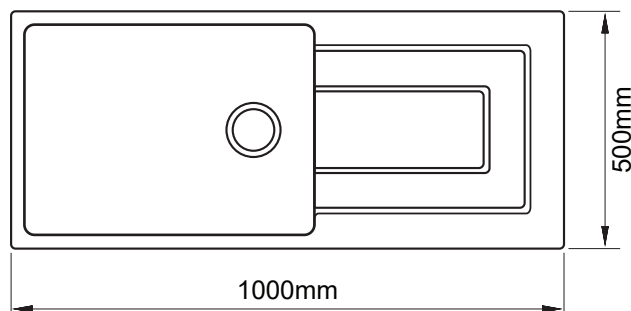
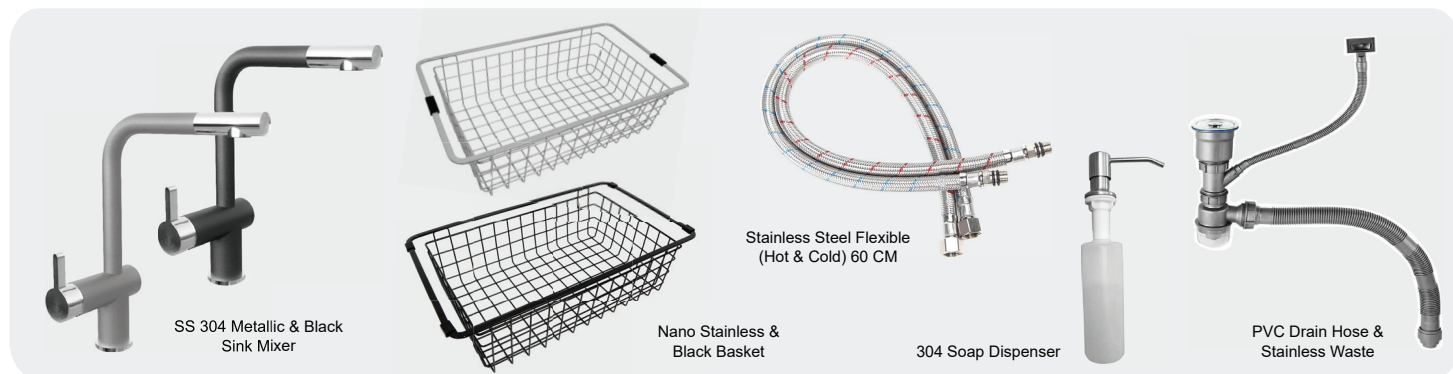
Dimension :
1000 x 500 x 220 mm

Color Available :
Metallic & Black

Thickness :
11 mm

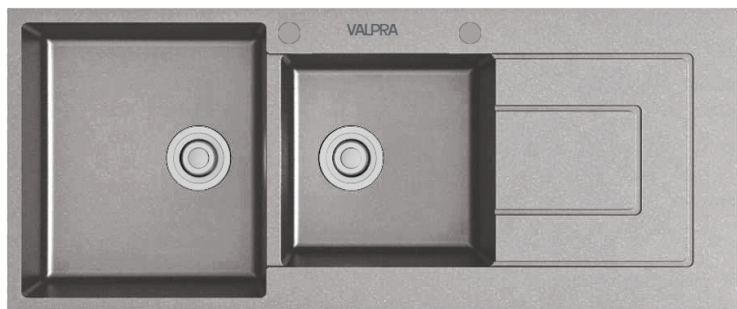
Installment :
Topmount

Features :



V-GE 11650 MT

V-GE 11650 BK



Material :
Granite Composite

Weight :
26 kg

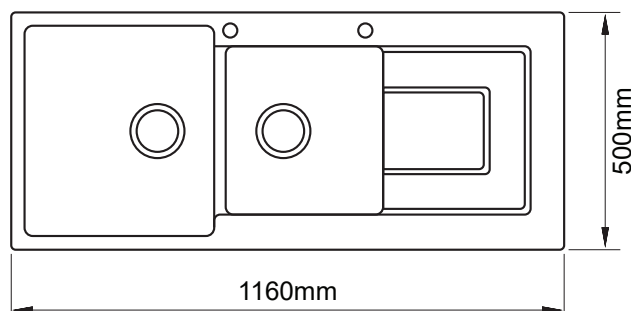
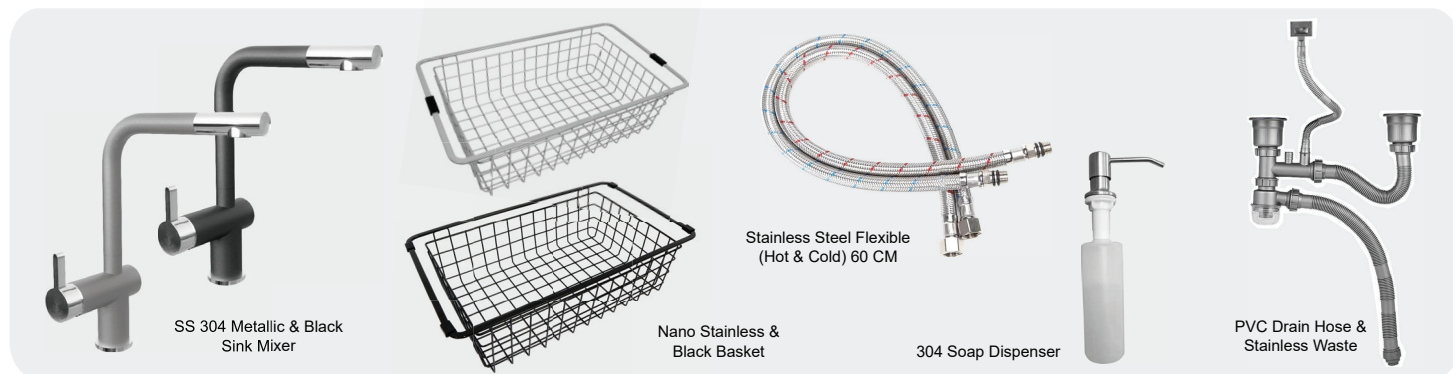
Dimension :
1160 x 500 x 220 mm

Color Available :
Metallic & Black

Thickness :
11 mm

Installment :
Topmount

Features :



Imprint

Reproduction of this catalogue in whole or in part, the copying or imitation of any illustrations and the imitation of the layout is strictly prohibited.

The technical descriptions and dimensions in this catalogue, also those with the photographs and drawings, are non-binding. We reserve the right to alter specifications without notice.
All dimensions in mm, unless stated otherwise.

No liability accepted for printing errors and mistakes made during the production of this catalogue